



# PRESSURE INDICATOR

## Series PN

Cat No PN - 01 - 01 - A

### PRESSURE INDICATOR - M5, G1/8, G1/4

#### Features

- Compact size
- Quick response
- Panel mountable
- Noiseless performance



#### Function

Indicates the presence of pneumatic pressure.

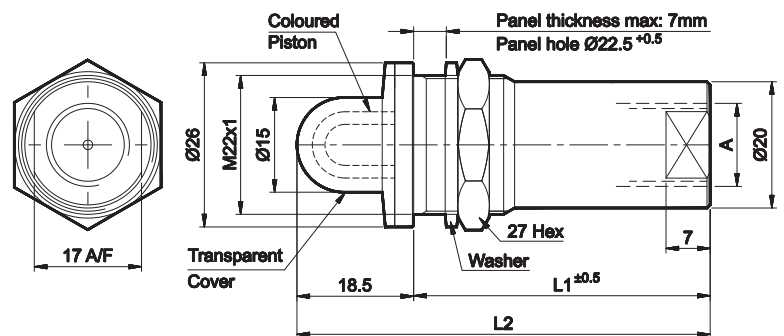
#### Precautions

1. Flush piping for dirt, dust, rust and other foreign particles.
2. Install in clean atmosphere
3. Nipples of taper thread (R) to be used with teflon tape. Ensure teflon tape does not enter the unit during tightening.  
Nipples of straight thread (G) to be used with sealing washer.

#### Technical Specifications

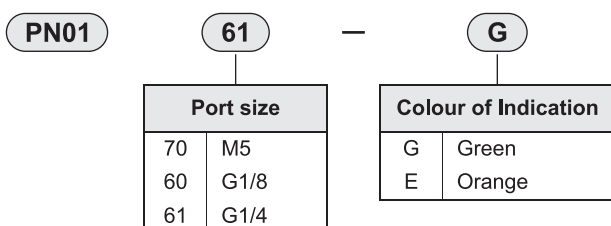
Port size	M5	G1/8	G1/4
Operating pressure	1 to 10 bar		
Ambient temperature	-10° to +50° C		
Medium temperature	+5° to +50° C		
Medium	Compressed air		
Frequency	100 Cycle/min or less		
Colour of indication	Green, Orange		
Materials of construction	Aluminium, Polyacetal, Acrylic, Polyamide		
Weight (grams)	31.3	33.6	33

A	Piston	Ordering No	L1	L2
M5	Green	PN0170-G	40.5	59
	Orange	PN0170-E		
G1/8	Green	PN0160-G	45	63.5
	Orange	PN0160-E		
G1/4	Green	PN0161-G	47	65.5
	Orange	PN0161-E		



Note : Lock Nut tightening torque : 6-7 Nm

#### How to order



Ordering example : G1/4 Pressure indicator - Green : PN0161-G

Subject to change